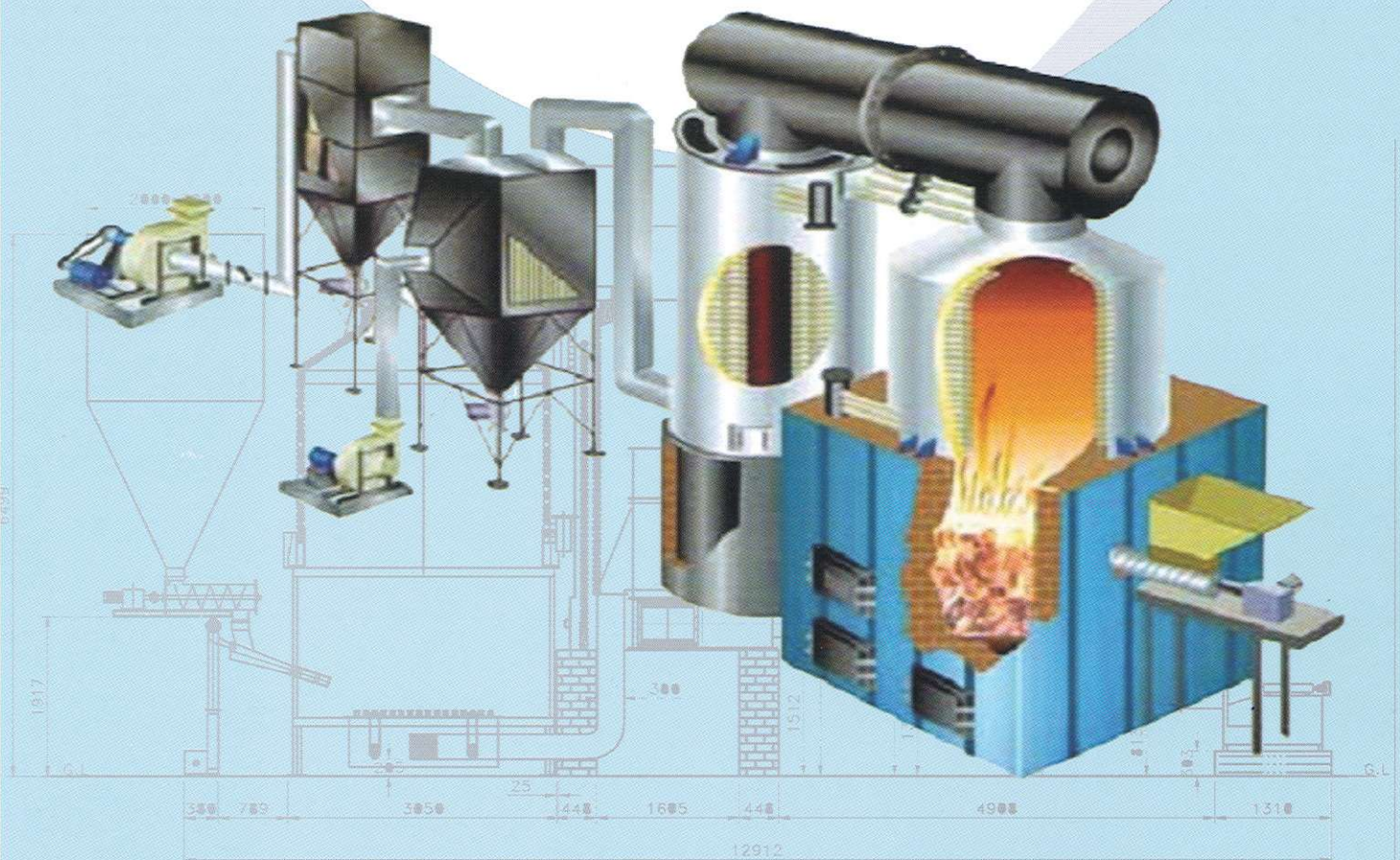


PROCESS HEATING SYSTEM



VFF-SERIES

Vertical four Pass F.B.C. Fired Thermic Fluid Heater

Capacity Range

4.0 To 100.0 Lac Kcal/hr

Standard Design Temperature

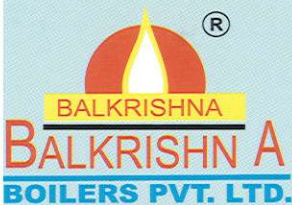
up to 300°C



Technical Specifications

NO.	MODEL	UNIT	VFF-04	VFF-06	VFF-10	VFF-15	VFF-20	VFF-25
1	Heat Output	1000 Kcal/hr	400	600	1000	1500	2000	2500
2	Oil Flow Rate	m ³ /hr	24	36	60	90	90	150
3	Max. Outlet Temp.	*c	280	280	280	280	280	280
4	Temp. Rise In Heater	*c	34	34	34	34	34	34
5	Max. Fluid Pressure Heater Outlet	kg/cm ²	2	2	2	2	2	2
6	Efficiency							
	On Coal	%	76+/-2	76+/-2	76+/-2	76+/-2	76+/-2	76+/-2
	On Husk	%	70+/-2	70+/-2	70+/-2	70+/-2	70+/-2	70+/-2
	On Petcock	%	78+/-2	78+/-2	78+/-2	78+/-2	78+/-2	78+/-2
7	Type Of Fuel		coal	husk	petcock			
8	Fuel Consumption							
	Coal	kg/hr	120	175	290	435	580	750
	Husk	kg/hr	175	260	435	650	870	1085
	Petcock	kg/hr	60	90	150	225	300	375
9	Electrical Load							
	Thermic Oil Pump	H.P.	10	15	20	30	40	40
	F.d. Fan (coal/wood)	H.P.	2	3	5	7.5	10	12.5
	I.d. Fan	H.P.	5	7.5	10	15	20	25
	F.d. Fan	H.P.	5	7.5	10	15	20	25
	S.f.d. Fan	H.P.	1	1	1	2	2	3
	Fuel Feeder	H.P.	1	1	1	2	2	2
	Total Ele. Load	H.P.	24	35	47	70.5	93	106.5
10	Coil Hold Up Cap.	Ltrs	475	570	1250	2350	3150	3780
11	Furnace Size							
	Length	M.M.	1720	2040	2240	2590	2875	2875
	Width	M.M.	1720	2040	2240	2590	2875	2875
	Height	M.M.	2500	2500	2500	2500	2500	2500
12	Heat Exchanger Dim							
	Convective Coil	Dia.	1150	1270	1510	1800	2030	2420
		Height	1790	2100	2860	3660	4210	4220
	Radiant Coil	Dia.	2000	2000	2250	2600	2900	2900
		Height	1500	1500	1900	2700	3150	3550
13	Oil Inlet Connection	M.M.	80	80	100	125	150	150
14	Oil Outlet Conne.	M.M.	80	80	100	125	150	150

● GCV for coal is 4500 Kcal/KG ● GCV for Lignite is 3000 Kcal/KG ● GCV for Wood is 3200 Kcal/KG ● GCV for Husk is 2800 Kcal/KG



BALKRISHNA BOILERS PVT. LTD.

Plot No. 78/8, Phase-I, GIDC, Vatva. Opp. Abad Bread,
Ahmedabad-382445. Gujrat (India).

Phone : (O) 079 - 25894701 ● Fax : (079) 25894702

- E-mail : info@balkrishn.com , office@balkrishn.com
- URI : www.balkrishn.com , www.indianboilers.com

Our Dealer Network :-

Baroda, Pali, Balotra, Jaipur, Jodhpur, Gudgaon, Aurangabad,
Calcutta, Trichy, Ankleshwer, Rajkot, Hyderabad, Solapur,

OUR PRODUCT :

- Wood, Coal, Gas, Oil & Multi fuel Fired
- Steam Boiler
- Thermic fluid Heater
- Hot Air Generator
- Hot Water Boiler
- Air Pollution Control
- Water Treatment
- Power Generation
- Boiler Accessories
- Steam Accessories

Note : In view our constant endeavors to improve of our products, we reserve the right to alter or change specification without prior notice